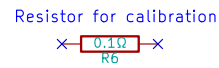
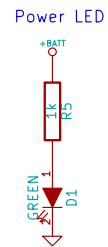
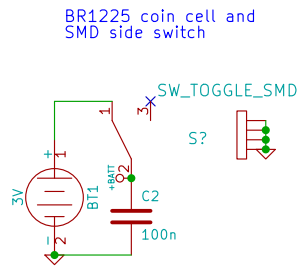
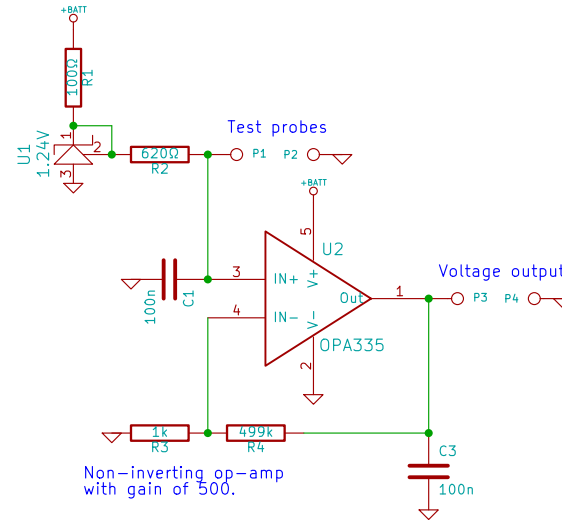


Half Ohm

Milliohm adapter for multimeters.



1.24V Voltage reference



Jaanus Kalde 2012
<http://jaanus.tech-thing.org>



File: Half Ohm.sch		Rev:	
Sheet: /		Id: 1/1	
Title:	Size: A4	Date: 17 jun 2012	
KiCad E.D.A.			